

# HP Multimedia Speakers with Subwoofer

---

## User's Manual

©Copyright 2005 Hewlett-Packard Development Company, L.P.  
The information contained herein is subject to change without notice  
The only warranties for HP products and services are set forth in the express  
warranty statements accompanying such products and services. Nothing  
herein should be construed as constituting an additional warranty. HP shall  
not be liable for technical or editorial errors or omissions contained herein.

Product Number PP037AA #ABA  
Printed in China



## **Product Registration**

Registration is quick, easy and offers: Email updates containing notifications about product enhancements, the most recent support alerts, and driver updates specific to the product(s) you own.

For faster help, be sure to register your recently purchased product at **<http://www.microinv.com/hp/register.cfm>**

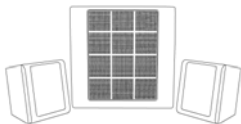
## Contents

Welcome.....	4
Overview.....	5
Installation.....	6
Troubleshooting.....	8
Safety Information.....	9

## Welcome

Congratulations on purchasing the HP Multimedia Speakers with Subwoofer. This guide will provide you the necessary steps to installing and maintaining your speakers.

## Package Contents



HP Multimedia Speakers  
with Subwoofer



Audio Cables

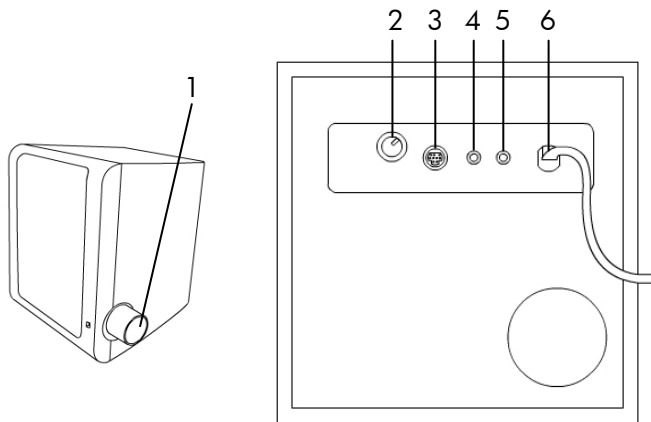


User's Manual



Warranty Card

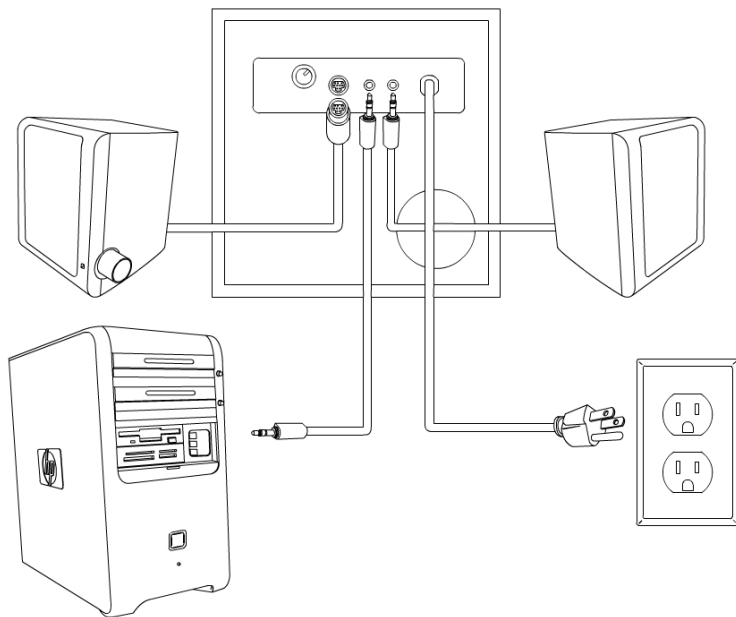
## Overview



1. Rotary Volume Control & Power On/Off (on right speaker Satellite)
2. Bass Control
3. Right Satellite Speaker Port
4. Line In
5. Left Satellite Speaker Port
6. Power Cord

## Installation

Please use the image below as reference for the installation process.



Step 1 – Connect the left satellite speaker to the subwoofer.

Step 2 – Connect the right satellite speaker to the subwoofer.

Step 3 – Connect the subwoofer to your computer (Headphone/Audio out – GREEN) or to your mp3/CD player (headphone jack).

Step 4 – Turn the bass control and the volume to minimum (counterclockwise)

Step 5 – Plug the power cord into an available outlet.

Step 6 – Turn on your HP Multimedia Speakers with Subwoofer by using the On/Off/Volume knob on the right satellite speaker.

Step 7 – Adjust the speaker's bass and volume to your desired listening level while playing music on your computer.

## Troubleshooting

- Check your connections are all firmly plugged in.
- Check if the computer's software volume is turned up and the "mute" option in Volume Control is off.
- Check if the volume dial is turned up on your HP Multimedia Speakers with Subwoofer.

## Technical Support

For technical assistance call 1-866-314-7239 or visit [www.microinv.com/hp](http://www.microinv.com/hp)  
Technical Support hours of operation: Monday - Friday 8:30am to 10:00pm E.S.T.



## **Safety Information**

This product was designed and manufactured to meet strict quality and safety standards. There are, however, some installation and operation precautions which you should be particularly aware of.

1. Read these instructions - All the safety and operating instructions should be read before the appliance is operated.
2. Keep these instructions - The safety and operating instructions should be retained for future reference.
3. Heed all warnings - All warnings on the appliance and in the operating instructions should be adhered to.
4. Follow all instructions - All operating and use instructions should be followed.
5. Do not use this apparatus near water - for example near a bath tub, washbowl, kitchen sink, laundry tub, in a wet basement or near a swimming pool, etc.
6. Clean only with a damp cloth. The appliance should be cleaned only as recommended by the manufacturer.
7. Install in accordance with the manufacturers Instructions. Do not block any of the ventilation openings. For example, the appliance should not be situated on a bed, sofa, rug, or similar surface or placed in a built-in installation such as a bookcase or cabinet that may impede the flow of air through the ventilation openings.

8. Do not install near any heat sources such as radiators, heat registers, stoves, or other apparatus (including amplifiers) that produce heat.
9. Protect the power cord from being walked on or pinched particularly at plugs, convenience receptacles, and the point where it exits from the apparatus.
10. Do not defeat the safety purpose of the polarized or grounding-type plug. A polarized plug has two blades with one wider than the other. A grounding type plug has two blades and a third grounding prong. The wide blade or the third prong is provided for your safety. If the provided plug does not fit into your outlet, consult an electrician for replacement of the obsolete outlet.
11. Only use attachments/accessories specified by the manufacturer.
12. Use only with a cart, stand, tripod, bracket, or table specified by the manufacturer, or sold with the apparatus. When a cart is used, use caution when moving the cart/apparatus combination to avoid injury from tip-over.
13. Unplug this apparatus during lightning storms or when unused for long periods of time.
14. Refer all servicing to qualified service personnel. Servicing is required when the apparatus has been damaged in any way such as power-supply cord or plug is damaged, liquid has been spilled or objects have fallen into the apparatus, the apparatus has been exposed to rain or moisture, does not operate normally, or has been dropped.



**i n v e n t**